

## ELECTRIC FEATURES – CARATTERISTICHE ELETTRICHE – ELEKTRISCHE DATEN

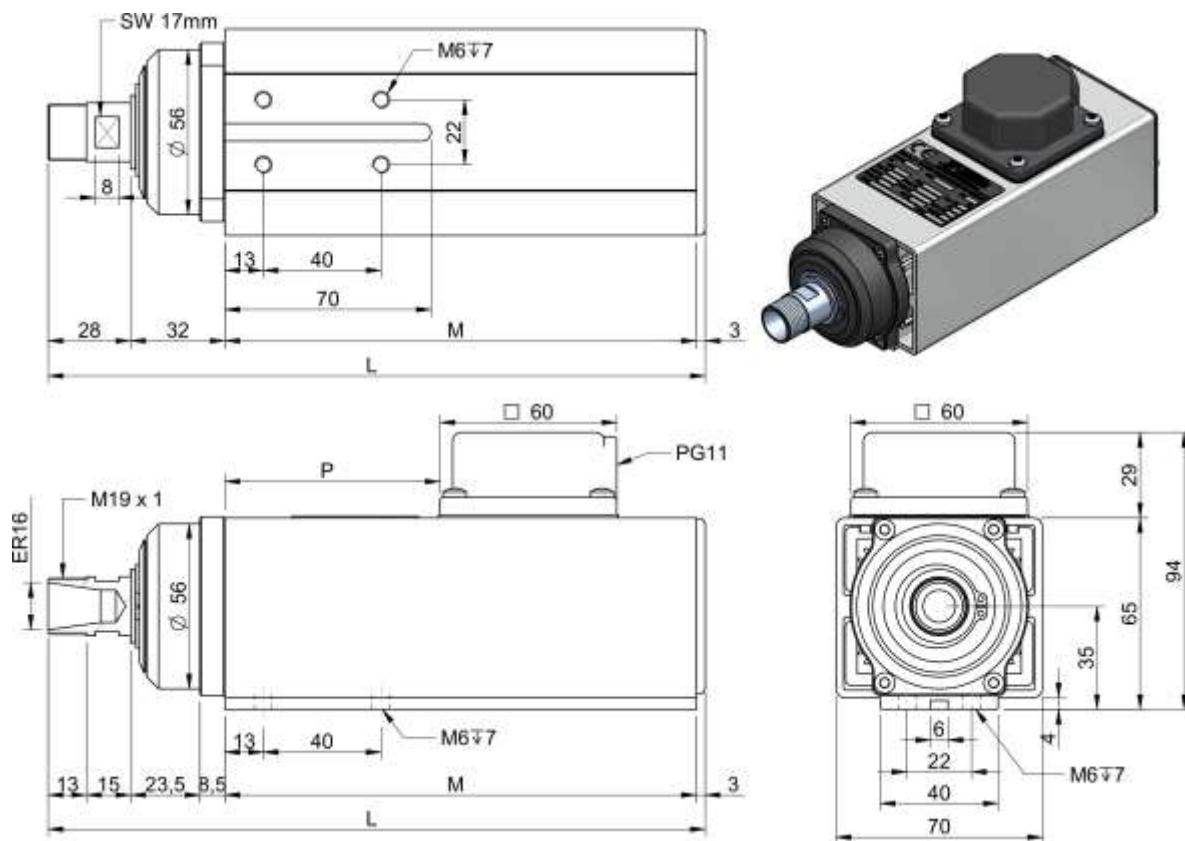
TYPE TIPO TYP	POWER POTENZA LEISTUNG	VOLTAGE TENSIONE SPANNUNG	FREQUENCY* [Hz]			Base SPEED VELOCITA' DREHZAHL	ABSORB. ASSORB. AMP AUFN	WEIGHT PESO GEW.
	kW	V	min	Base	Max	RPM	A	kg
NC35-A-SB-P-ER16	0.22	220 / 380	150	200	300	12000	1.6 / 0.9	2.5
NC35-B-SB-P-ER16	0.37	220 / 380	150	200	300	12000	2.1 / 1.2	2.9
NC35-C-SB-P-ER16	0.55	220 / 380	150	200	300	12000	2.7 / 1.5	3.1
NC35-A-SB-P-ER16	0.33	220 / 380	150	300	360	18000	2.1 / 1.2	2.5
NC35-B-SB-P-ER16	0.55	220 / 380	150	300	360	18000	3.0 / 1.7	2.9
NC35-C-SB-P-ER16	0.73	220 / 380	150	300	360	18000	3.6 / 2.1	3.1

For different voltage and frequency, contact our technical office. – Per valori diversi di tensione e frequenza, contattare l'ufficio tecnico.

\* For more informations about frequency data, view the [FAQ](#) n°12 on our website – Per maggiori informazioni sul significato delle frequenze, vedere la [FAQ](#) n°12 sul nostro sito

## OVERALL DIMENSIONS – DIMENSIONI INGOMBRO – ABMESSUNGEN

### NC35 – SB – P – ER16



TYPE – TIPO – TYP	L [mm]	P [mm]	M [mm]
NC35-A-SB-P-ER16	198	48	135
NC35-B-SB-P-ER16	223	73	160
NC35-C-SB-P-ER16	238	88	175